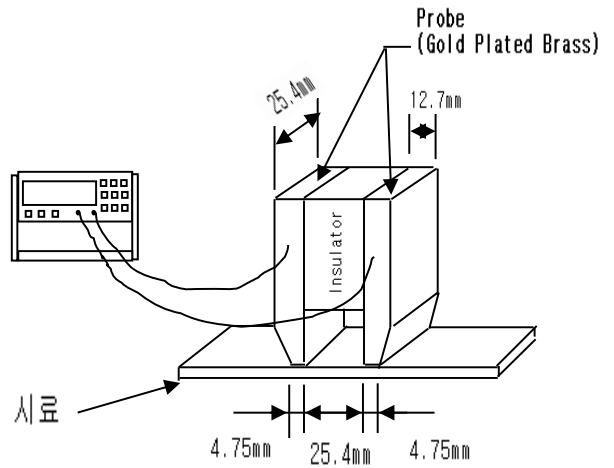


Resistance Test (HIOKI)

*. 표면저항 (surface resistance)

1) 측정 기구

- ① 업체명 : HIOKI (model : HIOKI 3540)
- ② Graduation : 0.001Ω (mΩ Hi Tester)
- ③ Probe : Au Plated Brass (500g)



2) 시료 규격 (30mm x 50mm)

3) 측정 결과

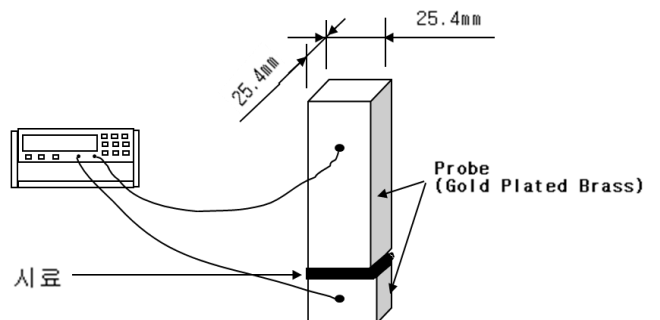
unit : Ω/□

No.	Part No.	#1	#2	#3	Min	Max	AVG
1	XYT-0.6T	0.060	0.069	0.065	0.060	0.069	0.065

*. 상하저항 (volume resistance)

1) 측정 기구

- ① 업체명 : HIOKI (model : HIOKI 3540)
- ② Graduation : 0.001Ω (mΩ Hi Tester)
- ③ Upper Probe : Au Plated Brass (1000g)



2) 시료 규격 (30mm x 50mm)

3) 측정 결과

unit : Ω-cm

No.	Part No.	#1	#2	#3	Min	Max	AVG
1	XYT-0.6T	0.026	0.025	0.025	0.025	0.026	0.025